

Product Information



2970DIK050P30

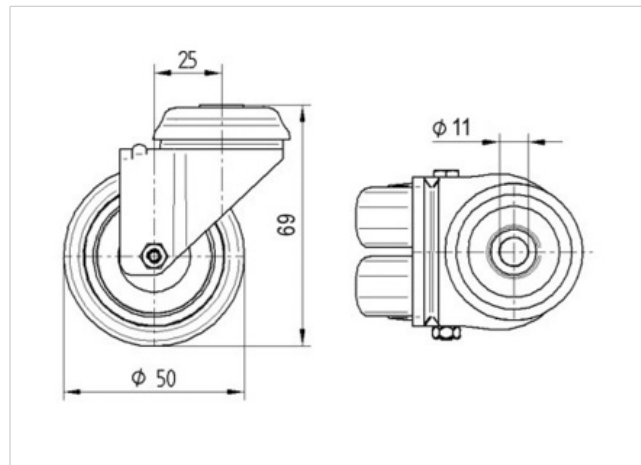
EAN 4031582302646

Swivel caster, housing made of pressed steel, bright zinc plated, blue passivated, double ball bearing swivel head, wheel axle with nut. Wheel center made of pressed steel, Tread: solid rubber, grey non-marking, with threadguards, cone ball bearing, bolt hole

Technical Data

Wheel diameter	50 mm
Tread width	19 mm
Center hole	11 mm
Offset	25 mm
Swivel Interference	100 mm
Overall height	69 mm
Temperature	- 20 / + 85 °C
Standard	EN 12530
Weight	0.322 kg
Load capacity (dynamic)	60 kg
Load capacity (static)	120 kg
Swivel Radius	50 mm
Hardness of tread	A 80 Shore

Roll performance	+	+	+	+	+
Movement noise	+	+	+	+	+
Attrition	+	+	+	+	+
Corrosion resistance	+	+	+	+	+



Product Information



2970DIK050P30

EAN 4031582302646

