

Product Information



9681FVP300P64

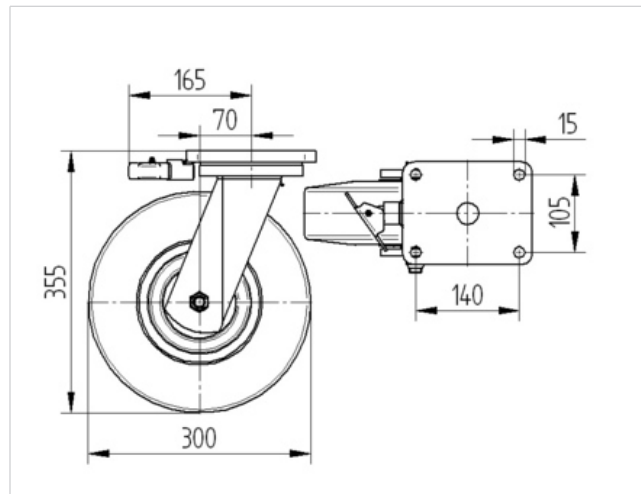
EAN 4031582315516

Swivel caster with directional lock, housing and plate steel-welded, bright zinc plated, blue passivated, sealed single swivel double ball bearing, threaded king pin and locking nut secured, grease nipple, wheel axle with nut. Wheel center made of cast iron, Tread: solid rubber, black, precision ball bearing, plate fitting

Technical Data

Wheel diameter	300 mm
Tread width	85 mm
Plate size	175 x 140 mm
Plate hole centers	140 x 105 mm
Plate hole	15 mm
Offset	70 mm
Swivel Interference	262 mm
Overall height	355 mm
Temperature	- 20 / + 85 °C
Standard	EN 12533
Weight	23.027 kg
Load capacity (dynamic)	800 kg
Load capacity (static)	1600 kg
Hardness of tread	A 70 Shore

Roll performance	+	+	+	+	+
Movement noise	+	+	+	+	+
Attrition	+	+	+	+	+
Corrosion resistance	+	+	+	+	+



Product Information



9681FVP300P64

EAN 4031582315516

