

# Product Information



## IEP250x50-Ø20

EAN 4031582319750

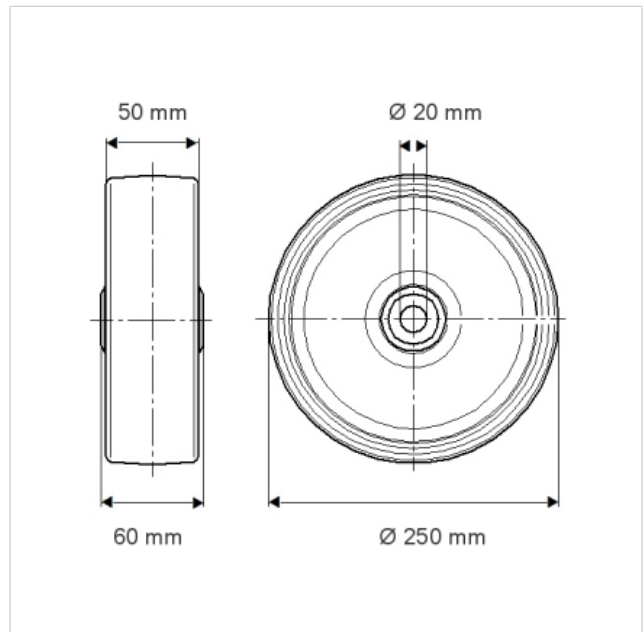
Wheel center made of Aluminum, Tread: black elastic-tire, vulcanized, precision ball bearing

### Technical Data

|                         |                |
|-------------------------|----------------|
| Wheel diameter          | 250 mm         |
| Tread width             | 50 mm          |
| Axle Hole-Ø             | 20 mm          |
| Hub length              | 60 mm          |
| Temperature             | - 20 / + 85 °C |
| Standard                | EN 12532       |
| Weight                  | 2.37 kg        |
| Load capacity (dynamic) | 500 kg         |
| Load capacity (static)  | 1000 kg        |
| Hardness of tread       | A 67 Shore     |



|                      |   |   |   |   |   |
|----------------------|---|---|---|---|---|
| Roll performance     | + | + | + | + | + |
| Movement noise       | + | + | + | + | + |
| Attrition            | + | + | + | + | + |
| Corrosion resistance | + | + | + | + | + |



# Product Information



## IEP250x50-Ø20

EAN 4031582319750

