

Product Information



INTEGRAL

2040UA X200R05-28

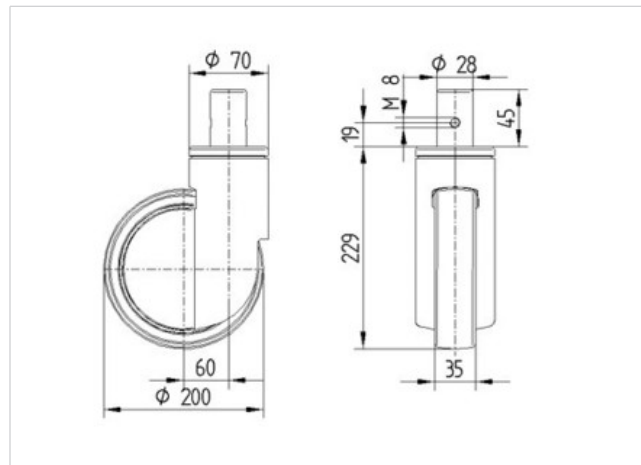
EAN 4031582300147

Swivel caster, Frame made of pressed steel, precision ball bearing in swivel head and wheel, housing cover made of synthetic plastic. Wheel center made of Polyamide, Tread: Polyurethane, with threadguards, precision ball bearing, sealed, solid plug fitting



Technical Data

Wheel diameter	200 mm
Tread width	35 mm
Bolt-Ø	28 mm
Bolt length	45 mm
Offset	60 mm
Swivel Interference	320 mm
Overall height	229 mm
Temperature	- 30 / + 80 °C
Standard	EN 12531
Weight	1.673 kg
Load capacity (dynamic)	150 kg
Load capacity (static)	300 kg
Swivel Radius	160 mm
Hardness of tread	D 40 Shore



Roll performance	+	+	+	+	+
Movement noise	+	+	+	+	+
Attrition	+	+	+	+	+
Corrosion resistance	+	+	+	+	+



Product Information



INTEGRAL

2040UAX200R05-28

EAN 4031582300147

