

Product Information



INTEGRAL

2046UA X200R36-32S30

EAN 4031582300277

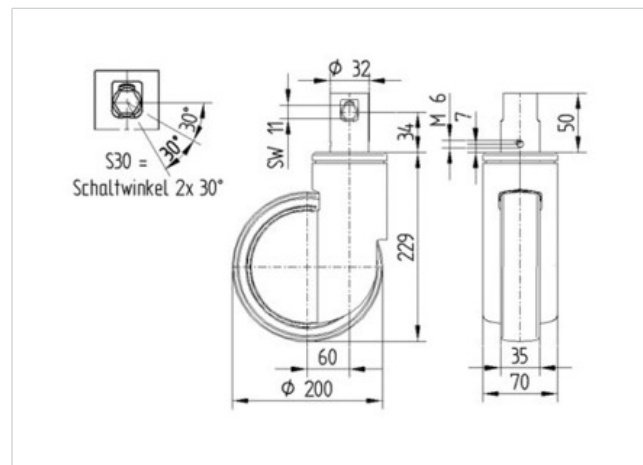
Swivel caster with central lock, Frame made of pressed steel, precision ball bearing in swivel head and wheel, housing cover made of synthetic plastic. Wheel center made of Polyamide, Tread: Polyurethane, with threadguards, precision ball bearing, sealed, stem with cam hole for profile bars, short version

Hint:TÜV Süd certified product.



Technical Data

Wheel diameter	200 mm
Tread width	35 mm
Bolt-Ø	32 mm
Bolt length	50 mm
Offset	60 mm
Swivel Interference	320 mm
Overall height	229 mm
Temperature	- 30 / + 80 °C
Standard	EN 12531
Weight	1.623 kg
Load capacity (dynamic)	150 kg
Load capacity (static)	300 kg
Swivel Radius	160 mm
Hardness of tread	D 40 Shore



Roll performance	+	+	+	+	+
Movement noise	+	+	+	+	+
Attrition	+	+	+	+	+
Corrosion resistance	+	+	+	+	+



Product Information



INTEGRAL

2046UA X200R36-32S30

EAN 4031582300277

