

Product Information



TOO200x50-Ø25

EAN 4031582322552

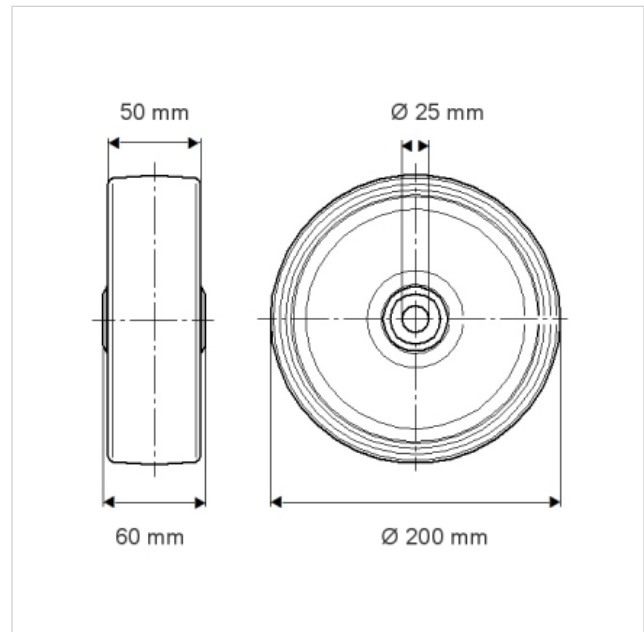
Wheel center made of Polyamide, heavy duty, plain bearing

Technical Data

Wheel diameter	200 mm
Tread width	50 mm
Axle Hole-Ø	25 mm
Hub length	60 mm
Temperature	- 40 / + 80 °C
Standard	EN 12533
Weight	1.212 kg
Load capacity (dynamic)	1000 kg
Load capacity (static)	2000 kg
Hardness of tread	D 75 Shore



Roll performance	+	+	+	+	+
Movement noise	+	+	+	+	+
Attrition	+	+	+	+	+
Corrosion resistance	+	+	+	+	+



Product Information



TOO200x50-Ø25

EAN 4031582322552

