

Product Information



2470UOK050P30-11

EAN 4031582301250

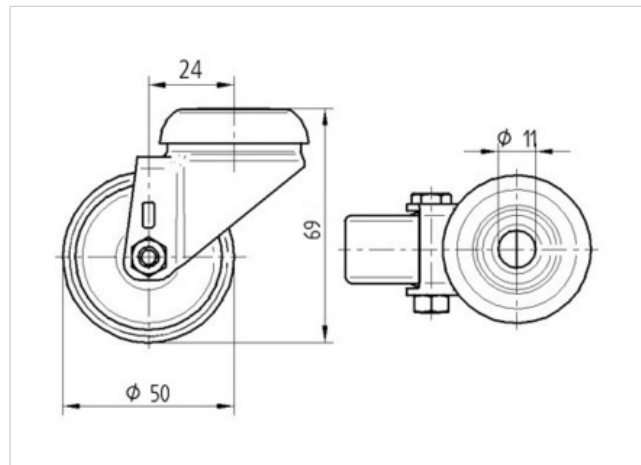
Swivel caster, housing made of pressed steel, bright zinc plated, blue passivated, double ball bearing swivel head, wheel axle with nut. Wheel center made of Polyamide, with threadguards, cone ball bearing, bolt hole

casters can be mounted with standard screws; various length screws can be used.

Technical Data

Wheel diameter	50 mm
Tread width	19 mm
Center hole	11 mm
Offset	24 mm
Swivel Interference	98 mm
Overall height	69 mm
Temperature	- 40 / + 80 °C
Standard	EN 12530
Weight	0.188 kg
Load capacity (dynamic)	50 kg
Load capacity (static)	100 kg
Swivel Radius	49 mm
Hardness of tread	D 75 Shore

Roll performance	+	+	+	+	+
Movement noise	+	+	+	+	+
Attrition	+	+	+	+	+
Corrosion resistance	+	+	+	+	+



Product Information



2470UOK050P30-11

EAN 4031582301250

