

# Product Information



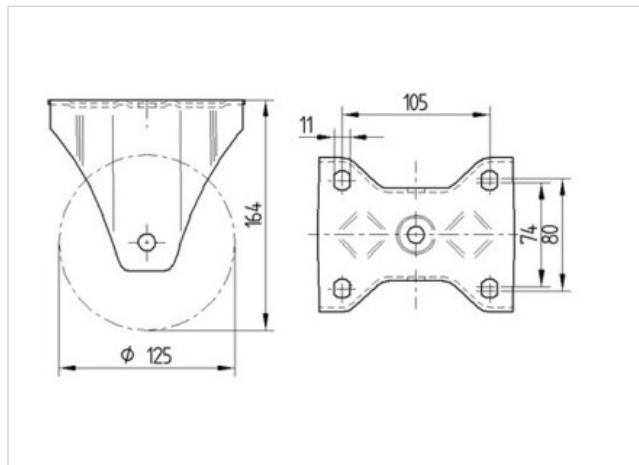
## 4688TOP125P63

EAN 4031582308310

Fixed caster, Fork made of heavy pressed steel, reinforced, bright zinc plated, blue passivated, wheel axle with nut, Wheel center made of Polyamide, heavy duty, precision ball bearing, plate fitting

### Technical Data

Wheel diameter	125 mm
Tread width	50 mm
Plate size	140 x 110 mm
Plate hole centers	105 x 80/74 mm
Plate hole	11 mm
Overall height	164 mm
Temperature	- 40 / + 80 °C
Standard	EN 12532
Weight	1.746 kg
Load capacity (dynamic)	700 kg
Load capacity (static)	1400 kg
Hardness of tread	D 75 Shore



Roll performance	+	+	+	+	+
Movement noise	+	+	+	+	+
Attrition	+	+	+	+	+
Corrosion resistance	+	+	+	+	+

# Product Information



## 4688TOP125P63

EAN 4031582308310

