

Product Information



4687TOP125P63

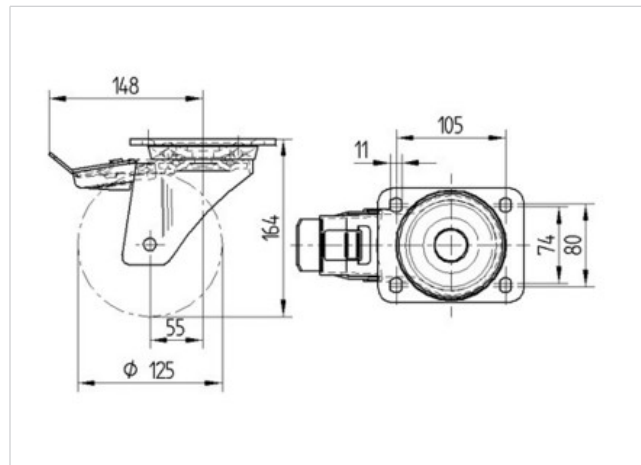
EAN 4031582308174

Swivel caster with total lock, trailing end of caster, housing made of very heavy pressed steel, reinforced, bright zinc plated, blue passivated, sealed swivel double ball bearing, reinforced and heat-treated ball covers, riveted king pin, wheel axle with nut. Wheel center made of Polyamide, heavy duty, precision ball bearing, plate fitting



Technical Data

Wheel diameter	125 mm
Tread width	50 mm
Plate size	140 x 110 mm
Plate hole centers	105 x 80/74 mm
Plate hole	11 mm
Offset	55 mm
Swivel Interference	360 mm
Overall height	164 mm
Temperature	- 40 / + 80 °C
Standard	EN 12532
Weight	3.102 kg
Load capacity (dynamic)	700 kg
Load capacity (static)	1400 kg
Hardness of tread	D 75 Shore



Roll performance	+	+	+	+	+
Movement noise	+	+	+	+	+
Attrition	+	+	+	+	+
Corrosion resistance	+	+	+	+	+

Product Information



4687TOP125P63

EAN 4031582308174

