

Product Information



4687IEP160P63

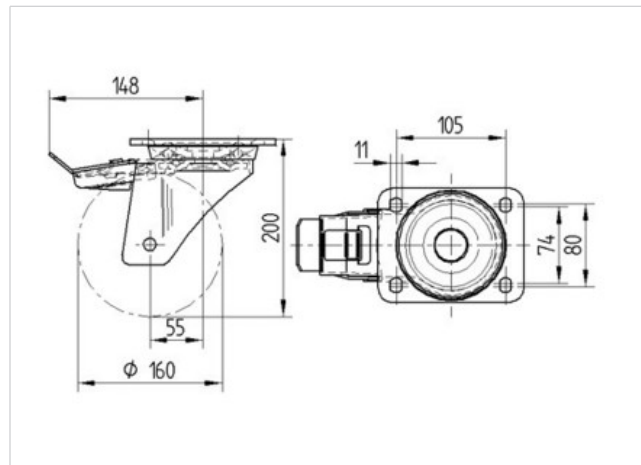
EAN 4031582308129

Swivel caster with total lock, trailing end of caster, housing made of very heavy pressed steel, reinforced, bright zinc plated, blue passivated, sealed swivel double ball bearing, reinforced and heat-treated ball covers, riveted king pin, wheel axle with nut. Wheel center made of Aluminum, Tread: black elastic-tire, vulcanized, precision ball bearing, plate fitting



Technical Data

Wheel diameter	160 mm
Tread width	50 mm
Plate size	140 x 110 mm
Plate hole centers	105 x 80/74 mm
Plate hole	11 mm
Offset	55 mm
Swivel Interference	360 mm
Overall height	200 mm
Temperature	- 20 / + 85 °C
Standard	EN 12532
Weight	3.588 kg
Load capacity (dynamic)	350 kg
Load capacity (static)	700 kg
Hardness of tread	A 67 Shore



Roll performance	+	+	+	+	+
Movement noise	+	+	+	+	+
Attrition	+	+	+	+	+
Corrosion resistance	+	+	+	+	+

Product Information



4687IEP160P63

EAN 4031582308129

