

Product Information



4680IEP160P63

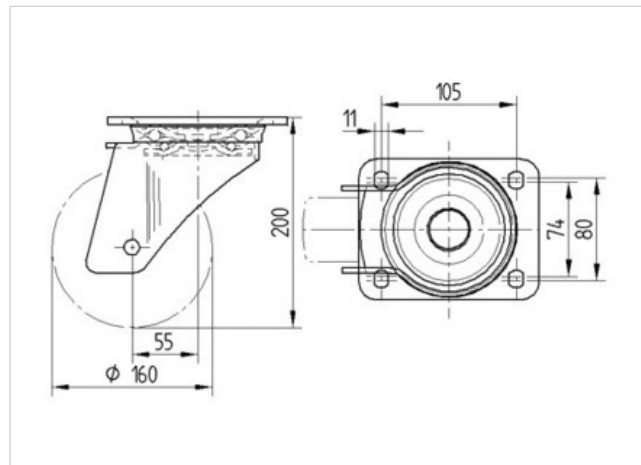
EAN 4031582307801

Swivel caster, housing made of very heavy pressed steel, reinforced, bright zinc plated, blue passivated, sealed swivel double ball bearing, reinforced and heat-treated ball covers, riveted king pin, wheel axle with nut. Wheel center made of Aluminum, Tread: black elastic-tire, vulcanized, precision ball bearing, plate fitting



Technical Data

| | |
|-------------------------|----------------|
| Wheel diameter | 160 mm |
| Tread width | 50 mm |
| Plate size | 140 x 110 mm |
| Plate hole centers | 105 x 80/74 mm |
| Plate hole | 11 mm |
| Offset | 55 mm |
| Swivel Interference | 270 mm |
| Overall height | 200 mm |
| Temperature | - 20 / + 85 °C |
| Standard | EN 12532 |
| Weight | 3.38 kg |
| Load capacity (dynamic) | 350 kg |
| Load capacity (static) | 700 kg |
| Swivel Radius | 135 mm |
| Hardness of tread | A 67 Shore |



| | | | | | |
|----------------------|---|---|---|---|---|
| Roll performance | + | + | + | + | + |
| Movement noise | + | + | + | + | + |
| Attrition | + | + | + | + | + |
| Corrosion resistance | + | + | + | + | + |

Product Information



4680IEP160P63

EAN 4031582307801

