

Product Information



INTEGRAL

2044UAP125R36-32S30

EAN 4031582300178

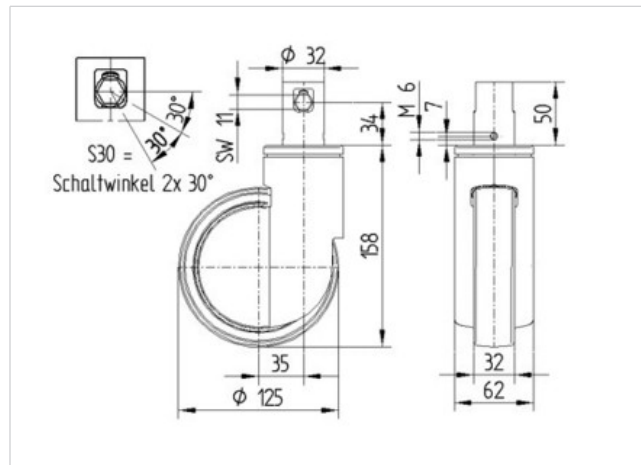
Swivel Caster with central, total or directional lock, Frame made of pressed steel, precision ball bearing in swivel head and wheel, housing cover made of synthetic plastic. Wheel center made of Polyamide, Tread: Polyurethane, precision ball bearing, stem with cam hole for profile bars, short version

Hint:TÜV Süd certified product.

Technical Data

Wheel diameter	125 mm
Tread width	32 mm
Bolt-Ø	32 mm
Bolt length	50 mm
Offset	35 mm
Swivel Interference	195 mm
Overall height	158 mm
Temperature	- 30 / + 80 °C
Standard	EN 12531
Weight	0.981 kg
Load capacity (dynamic)	150 kg
Load capacity (static)	300 kg
Swivel Radius	97.5 mm
Hardness of tread	D 40 Shore

Roll performance	+	+	+	+	+
Movement noise	+	+	+	+	+
Attrition	+	+	+	+	+
Corrosion resistance	+	+	+	+	+



Product Information



INTEGRAL

2044UAP125R36-32S30

EAN 4031582300178

